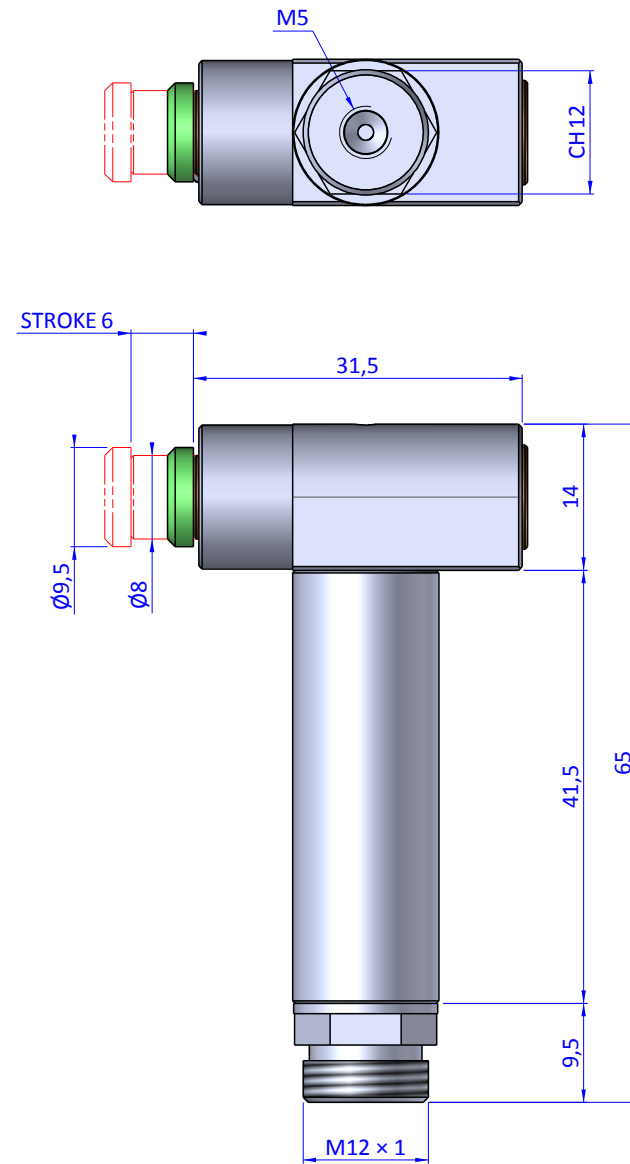
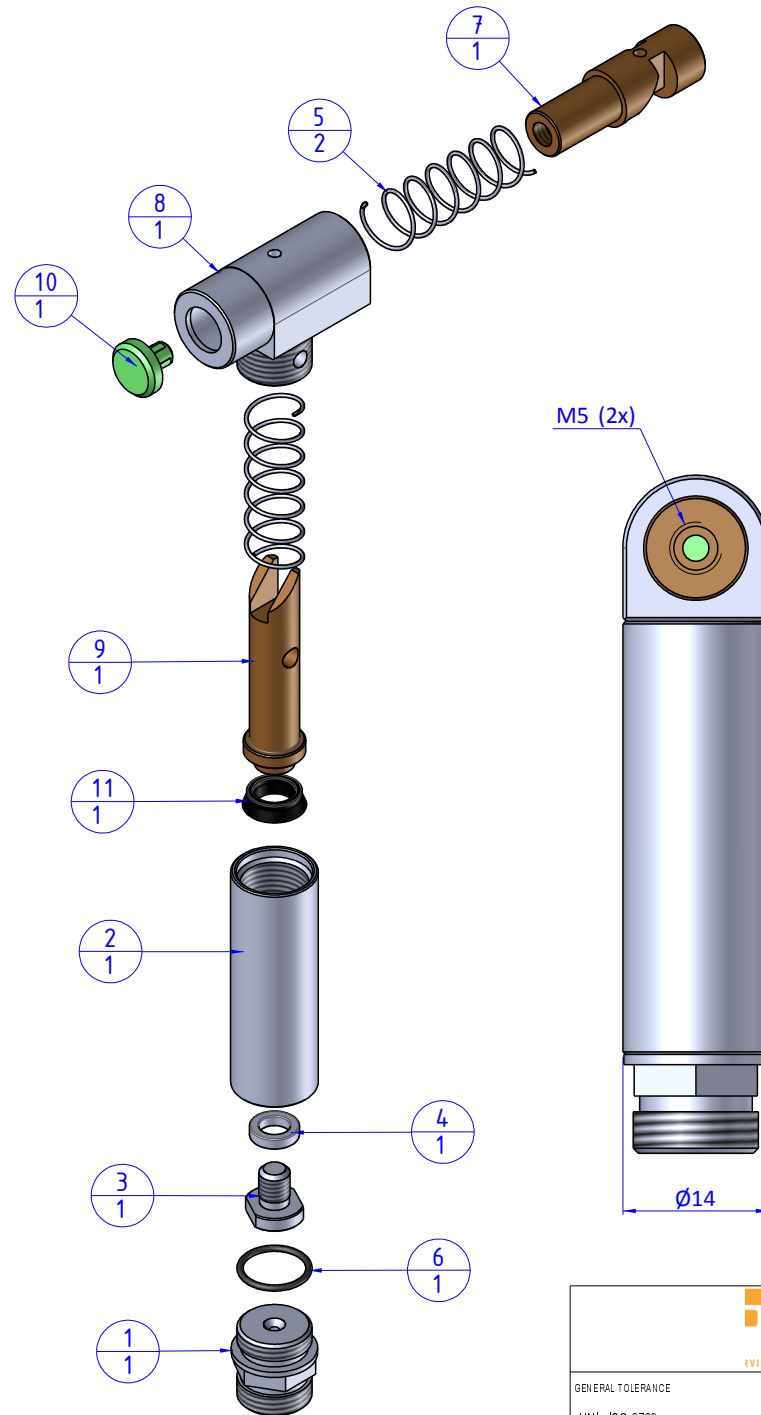


THE PROPERTY OF THE DRAWING IS ESTABLISHED BY LAW. IT IS FORBIDDEN TO PRODUCE OR SHOW IT TO THIRD PARTY, WITHOUT A WRITTEN AGREEMENT.

Item	Name	Q.ty
1	GRF14.95.01	1
2	GRF14.95.02	1
3	GRF14.95.03.2	1
4	GRF14.95.10	1
5	M.10X32A	2
6	ORM.0100.10	1
7	PMA.1406.1	1
8	PMA.1406.2	1
9	PMA.1406.3	1
10	PPS.1406.07.V	1
11	PSP.100603	1



Format A3

UNI 936-76

		DESIGNED FROM	REVIEW
		FPS Automation	A
GENERAL TOLERANCE	DESCRIPTION	DATE	WEIGHT
UNI - ISO 2768	CA.PMA.1406	20/05/2019	0,047kg
CLASSE F		CODE	CA.PMA.1406